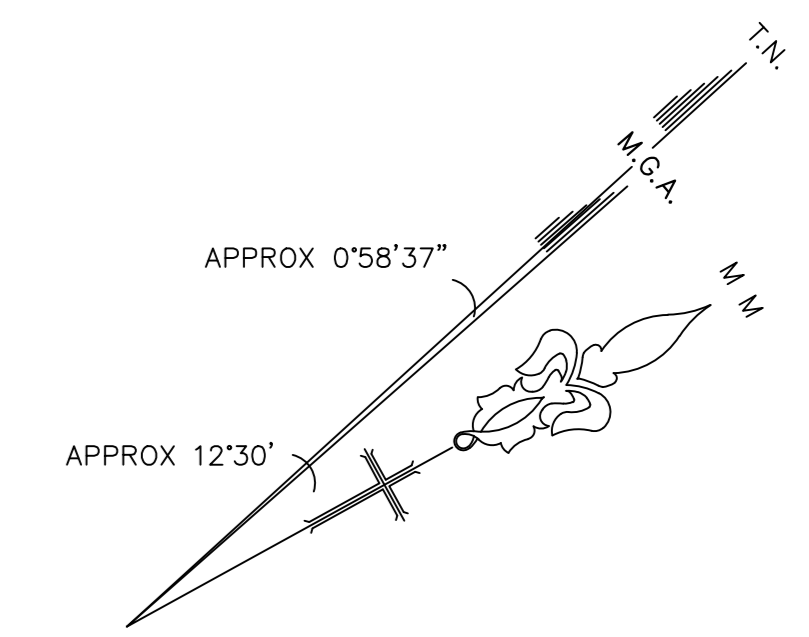
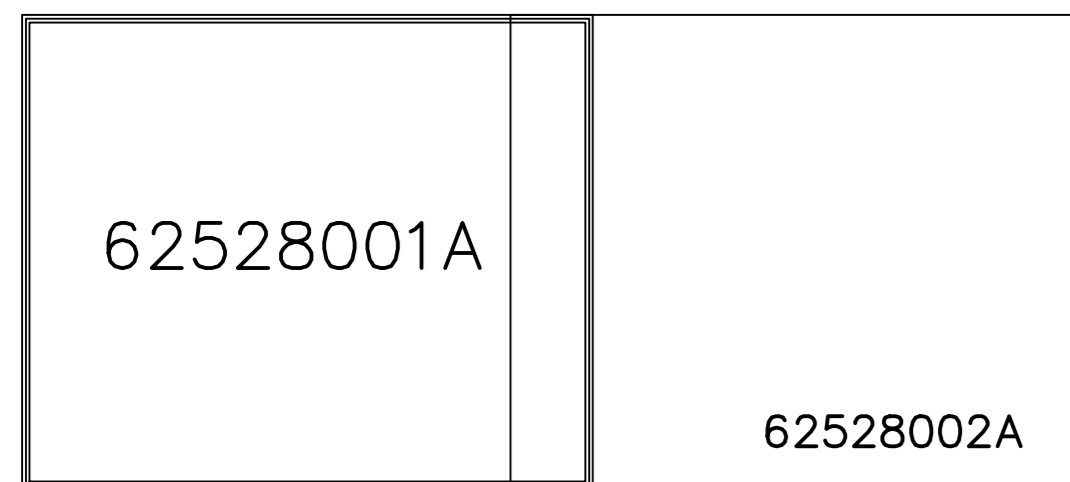


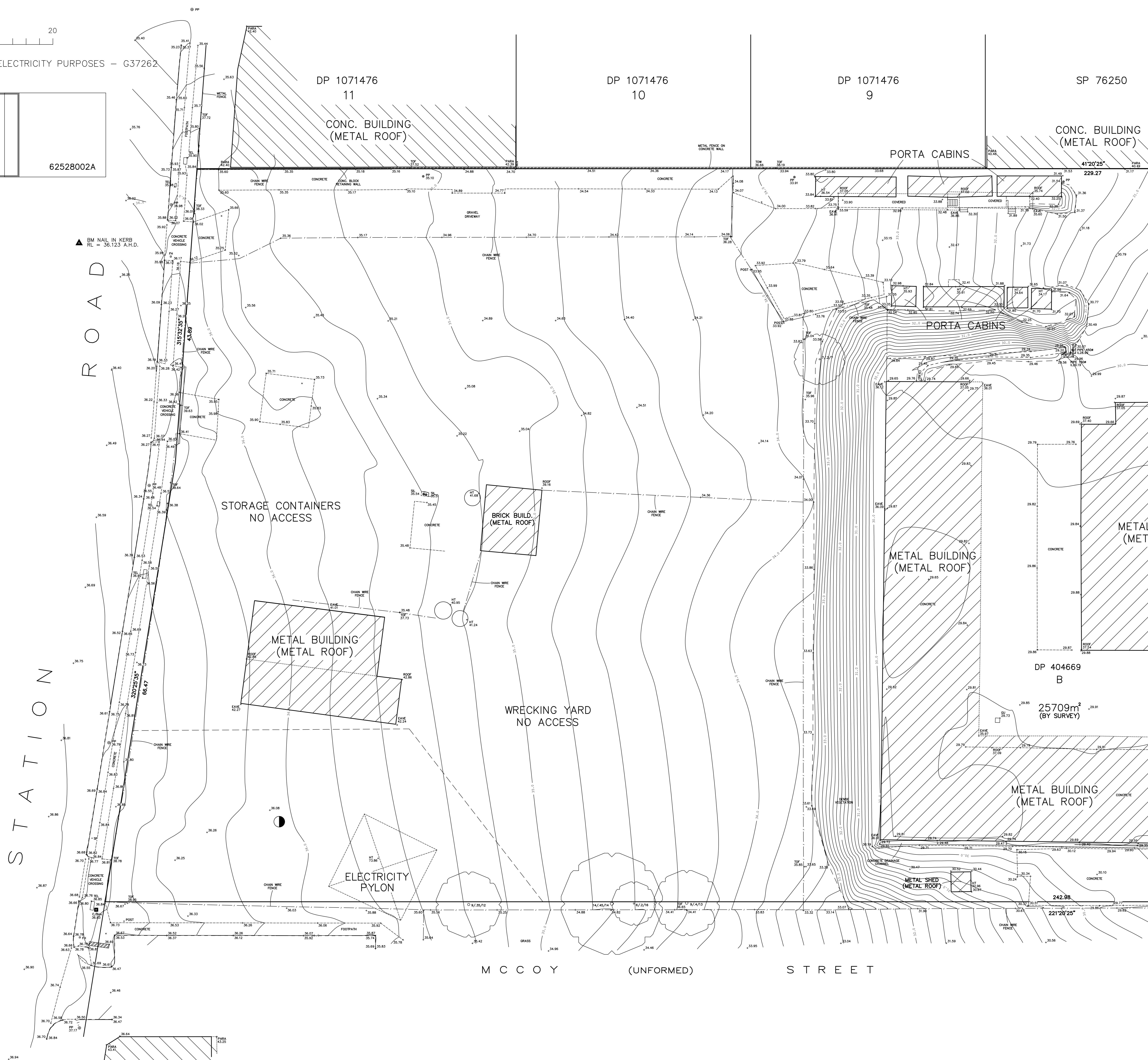
EASEMENT FOR ELECTRICITY PURPOSES - G37262



STATION ROAD

STATION

MCCOY (UNFORMED) STREET



LEGEND

	Building		Bench Mark
	Walls		Survey Station & Name
	Kerb Bottom		Bench Mark
	Concrete edge		Bench Mark
	Kerb top		Bench Mark
	Barrier		Bench Mark
	Hedge		Bench Mark
	Fence		Bench Mark
	Overhead Powerline		Bench Mark
	Manholes		Bench Mark
	Survey Station & Name		Bench Mark
	Bench Mark		Bench Mark
	Sapling		Bench Mark
	Tree, 12/0.5/10 (Spread/Trunk/Height) Diameter Dia.		Bench Mark
	Area Of Undergrowth		Bench Mark
	Gate		Bench Mark
	Inspection chamber		Bench Mark
	Cover level		Bench Mark
	Invert level		Bench Mark
	Inv #0.25 Pipe invert (diameter)		Bench Mark
	Gully		Bench Mark
	Back Gully		Bench Mark
	Beam		Bench Mark
	Walls		Bench Mark
	Door		Bench Mark
	Window		Bench Mark

NOTES:

1. ALL DIMENSIONS AND LEVELS SHOULD BE CHECKED ON SITE PRIOR TO DESIGN AND CONSTRUCTION.
2. THE INFORMATION ON THIS SURVEY IS TO BE USED FOR DA PURPOSES ONLY.
3. IF THERE IS ANY POINT OR FEATURE (e.g. FLOOR LEVEL, WALL POSITION, ROOF OR RIDGE HEIGHT ETC) CRITICAL TO THE PREPARATION OF DESIGN PLANS OR CONSTRUCTION, THAT POINT OR FEATURE SHOULD BE MADE KNOWN TO US SO ITS ACCURACY CAN BE CONFIRMED PRIOR TO THE COMPLETION OF DESIGN PLANS OF COMMENCEMENT OF CONSTRUCTION.
4. SOME STRUCTURES AND FEATURES ARE APPROXIMATE ONLY. IF USED FOR DESIGN CONFIRMATION OF ACCURACY SHOULD BE CONFIRMED.
5. FENCES ARE APPROXIMATE ONLY UNLESS SPECIFICALLY DIMENSIONED TO BOUNDARY.
6. SURVEY MARKS MUST BE PLACED PRIOR TO CONSTRUCTION OR ERECTION OF FENCES.
7. TREE INFORMATION HAS BEEN SURVEYED FROM GROUND LEVEL AND THEREFORE SHOULD BE TREATED AS APPROXIMATE ONLY. THE EXTENT OF THE CANOPY IS APPROXIMATE AND DIAGRAMATIC ONLY.
8. STAIR RISES, STEPS AND LANDINGS HAVE NOT BEEN INDIVIDUALLY LOCATED AND ARE DIAGRAMATIC ONLY.
9. THE RECORDS OF THE SERVICE PROVIDERS HAVE NOT BEEN INVESTIGATED. ONLY THOSE SERVICES THAT ARE VISIBLE AND ACCESSIBLE AT THE DATE OF SURVEY HAVE BEEN SHOWN.
10. SERVICES SHOWN ARE INDICATIVE ONLY. OTHER SERVICES MAY EXIST THAT ARE NOT SHOWN. THEREFORE FIELD CONFIRMATION SERVICE LOCATORS SHOULD BE OBTAINED TO CONFIRM EXACT POSITION AND DEPTH.
11. SITE AREA SHOWN HAS BEEN CALCULATED BY SURVEY.
12. A SITE AND BOUNDARY SURVEY HAS BEEN CARRIED OUT.
13. ORIGIN OF LEVELS IS FM 29174, RL=36.192 A.H.D.
14. BEARINGS ARE ON M.G.A.

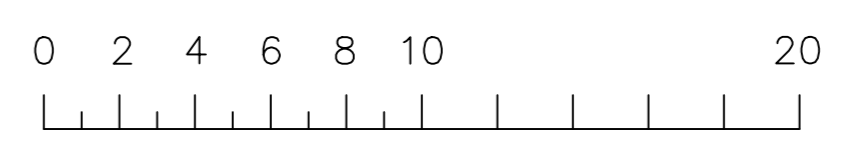
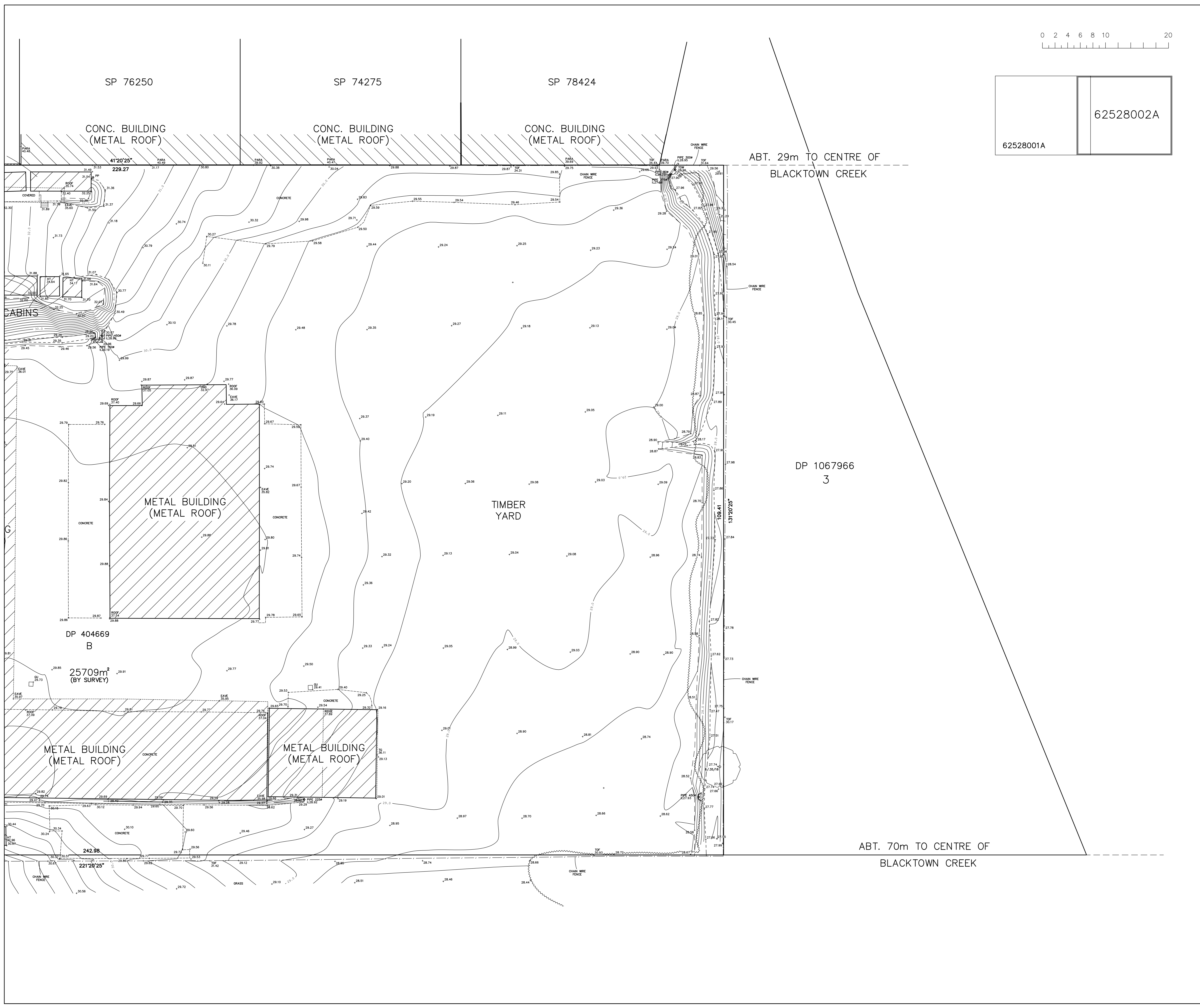
COPYRIGHT:
 THE INFORMATION SHOWN/CONTAINED IN THIS DRAWING/FILE IS COPYRIGHT. THE INFORMATION MAY ONLY BE USED FOR THE PURPOSE FOR WHICH IT WAS PRODUCED. NO PART OF THIS DRAWING/FILE MAY BE USED OR REPRODUCED IN PART OR WHOLE, FOR ANY OTHER CLIENT, PERSON OR COMPANY WITHOUT THE PRIOR WRITTEN PERMISSION OF HILL & BLUME PTY. LTD.

Hill & Blume
 CONSULTING SURVEYORS
 ACN 000 721 004
 surveyors@hillandblume.com.au

Hill & Blume Pty Ltd
 102 Crown Street
 Woolloomooloo
 NSW 2011
 Tel (02) 9332 4888
 Fax (02) 9331 6422

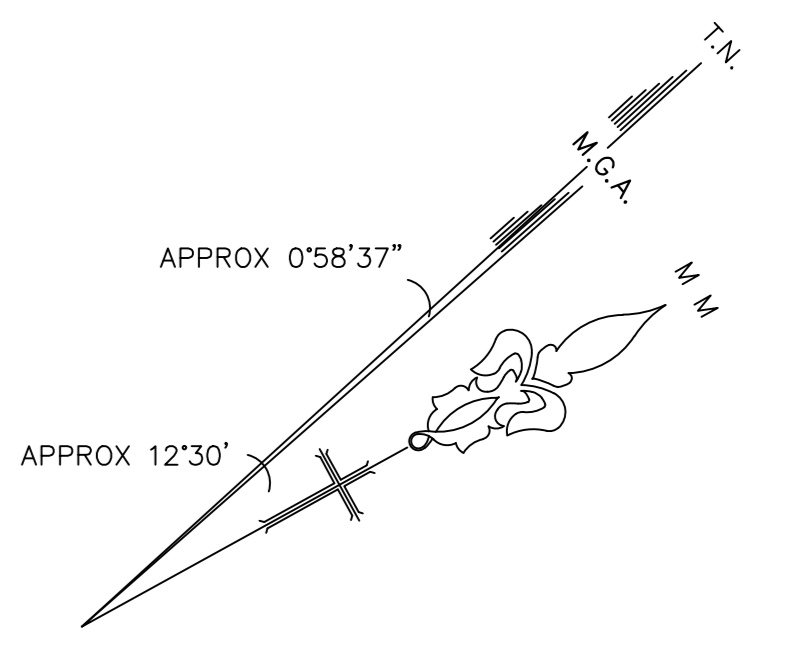
PROJECT
 SHOWING SELECTED LEVELS & DETAIL AND BOUNDARY IDENTIFICATION SURVEY OF LOT B IN DP 404669 BEING 57 STATION ROAD, SEVEN HILLS

CLIENT LCI	REGISTERED SURVEYOR PAUL CECELLERO ID NUMBER: 757
LGA BLACKTOWN	SIGNATURE <i>Paul Ceccero</i>
SCALE 1:200	DRAWN/PAPER SIZE AR/AO
SURVEY DATE 13/10/2020	DRAWING No. 62528001A



62528001A

62528002A



LEGEND

	Building		BALC Balcony Height
	Walls		BOL Bollard
	Kerb Bottom		BS Bus Stop
	Concrete edge		BW Bottom of Window
	Kerb top		C/Box Control Box
	Barrier		CHIM Chimney Height
	Hedge		ER Earth Rod
	Fence		E/Box Elec. Control Box
	Overhead Powerline		FH Fire Hydrant
	Manholes		FFL First Floor Level
	Survey Station & Name		FL Ground Floor Level
	Bench Mark		GU Gully
	Sapling		GM Gas Meter
	Tree, 12/0.5/10 (Spread/Trunk/Height) Diameter Dia.		GV Gas Valve
	Area Of Undergrowth		HT Height
	Gate		IC Inspection Cover
	Inspection chamber		LFL Lower Floor Level
	Cover level		MH Manhole
	Invert level		PARA Parapet Height
	Inv ϕ 0.25 Pipe invert (diameter)		PP Power Pole
	-GU Gully		SFL Second Floor Level
	-KO Back Gully		SIL Sewer Inspection Lid
	Beam		SP Sign Post
	Walls		SV Stop Valve
	Door		SVP Sewer Vent Pipe
	Window		TD Top of Door
			TDW Top of Door/Window
			TEL Telecommunications
			TG Top of Gutter
			TL Traffic Light
			TW Top of Window
			TOF Top of Fence
			TOW Top of Wall
			UND Underside Height
			WM Water Meter
			W-B Wall to Boundary
			B Beam Height
			CH Ceiling Height
			CI Window Cill Height
			FL Floor Level
			Hd Window Head Height
			HT Height
			TD Door Height

NOTES:

- ALL DIMENSIONS AND LEVELS SHOULD BE CHECKED ON SITE PRIOR TO DESIGN AND CONSTRUCTION.
- THE INFORMATION ON THIS SURVEY IS TO BE USED FOR DA PURPOSES ONLY.
- IF THERE IS ANY POINT OR FEATURE (e.g. FLOOR LEVEL, WALL POSITION, ROOF OR RIDGE HEIGHT ETC) CRITICAL TO THE PREPARATION OF DESIGN PLANS OR CONSTRUCTION, THAT POINT OR FEATURE SHOULD BE MADE KNOWN TO US SO ITS ACCURACY CAN BE CONFIRMED PRIOR TO THE COMPLETION OF DESIGN PLANS OF COMMENCEMENT OF CONSTRUCTION.
- SOME STRUCTURES AND FEATURES ARE APPROXIMATE ONLY. IF USED FOR DESIGN CONFIRMATION OF ACCURACY SHOULD BE CONFIRMED.
- FENCES ARE APPROXIMATE ONLY UNLESS SPECIFICALLY DIMENSIONED TO BOUNDARY.
- SURVEY MARKS MUST BE PLACED PRIOR TO CONSTRUCTION OR ERECTION OF FENCES.
- TREE INFORMATION HAS BEEN SURVEYED FROM GROUND LEVEL AND THEREFORE SHOULD BE TREATED AS APPROXIMATE ONLY, THE EXTENT OF THE CANOPY IS APPROXIMATE AND DIAGRAMMATIC ONLY.
- STAIR RISES, STEPS AND LANDINGS HAVE NOT BEEN INDIVIDUALLY LOCATED AND ARE DIAGRAMMATIC ONLY.
- THE RECORDS OF THE SERVICE PROVIDERS HAVE NOT BEEN INVESTIGATED, ONLY THOSE SERVICES THAT ARE VISIBLE AND ACCESSIBLE AT THE DATE OF SURVEY HAVE BEEN SHOWN.
- SERVICES SHOWN ARE INDICATIVE ONLY OTHER SERVICES MAY EXIST THAT ARE NOT SHOWN. THEREFORE FIELD CONFIRMATION SERVICE LOCATORS SHOULD BE OBTAINED TO CONFIRM EXACT POSITION AND DEPTH.
- THE SITE AREA SHOWN HAS BEEN CALCULATED BY SURVEY.
- A SITE AND BOUNDARY SURVEY HAS BEEN CARRIED OUT.
- ORIGIN OF LEVELS IS F.M. 29174, RL=36.192 A.H.D.
- BEARINGS ARE ON M.G.A.

COPYRIGHT:

THE INFORMATION SHOWN/CONTAINED IN THIS DRAWING/FILE IS COPYRIGHT. THE INFORMATION MAY ONLY BE USED FOR THE PURPOSE FOR WHICH IT WAS PRODUCED. NO PART OF THIS DRAWING/FILE MAY BE USED OR REPRODUCED IN PART OR WHOLE, FOR ANY OTHER CLIENT, PERSON OR COMPANY WITHOUT THE PRIOR WRITTEN PERMISSION OF HILL & BLUME PTY. LTD.

Hill & Blume
CONSULTING SURVEYORS
ACN 000 721 004

Hill & Blume Pty Ltd
102 Crown Street
Woolloomooloo
NSW 2011
Tel (02) 9332 4888
Fax (02) 9331 6422
surveyors@hillandblume.com.au

PROJECT

SHOWING SELECTED LEVELS & DETAIL AND BOUNDARY IDENTIFICATION SURVEY OF LOT B IN DP 404669 BEING 57 STATION ROAD, SEVEN HILLS

CLIENT	LCI	REGISTERED SURVEYOR	PAUL CECELLERO ID NUMBER: 757
LGA	BLACKTOWN	SIGNATURE	<i>P. Ceccellero</i>
SCALE	1:200	DRAWN/PAPER SIZE	AR/AO
SURVEY DATE	13/10/2020	DRAWING No.	62528002A